



TRUCK TANDEM SUSPENSION DATA

Company Name: _____ Date: _____

Contact Name: _____ Phone: _____ Fax: _____

Address: _____ Email: _____

 OEM Installation
 Aftermarket Installation

VEHICLE DATA

Make: _____ Year: _____ Mileage: _____ VIN#: _____

Model: _____ Vocation: _____ Wheelbase: _____ Number of units: _____

Unsprung Weight: _____ Max Gross Combination Weight (GCW): _____

Max Gross Vehicle Weight (GVW): _____

Max Load on Rear Drive Axles (at ground) w/Lift Axles Down: _____ w/Lift Axles Up: _____

If Aftermarket Installation – Current Suspension on Vehicle: _____

VEHICLE TYPE Tractor Straight Truck Other _____

Drive Axle – choose one

Auxiliary Axle – choose one if equipped

- 6x4
- 6x6
- 8x4
- 8x6
- 8x8

Drive Axle with Pusher

- 8x4
- 10x4
- 12x4
- 14x4

Drive Axle with Tag

- 8x4
- 10x4
- Other _____

Drive Axle w Pusher & Tag

DRIVE AXLE DATA

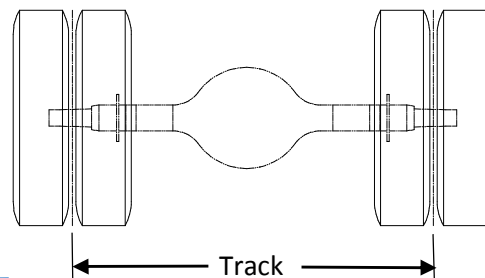
Make: _____ Model: _____ Track: _____

TIRE DATA

Make: _____ Model: _____ Size: _____

BRAKE DATA

Chamber Size: _____ Cam Disc Wedge Other _____



SUSPENSION OPTIONS

Complete this section even if requirements match existing unit

Axle Spacing 54" 60" 65"* 72" Other _____

*65" spacing is available on 65,000 lbs and up

Capacity 40,000 lbs 46,000 lbs 50,000 lbs 52,000 lbs 58,000 lbs
 65,000 lbs 80,000 lbs 100,000 lbs 130,000 lbs Other _____

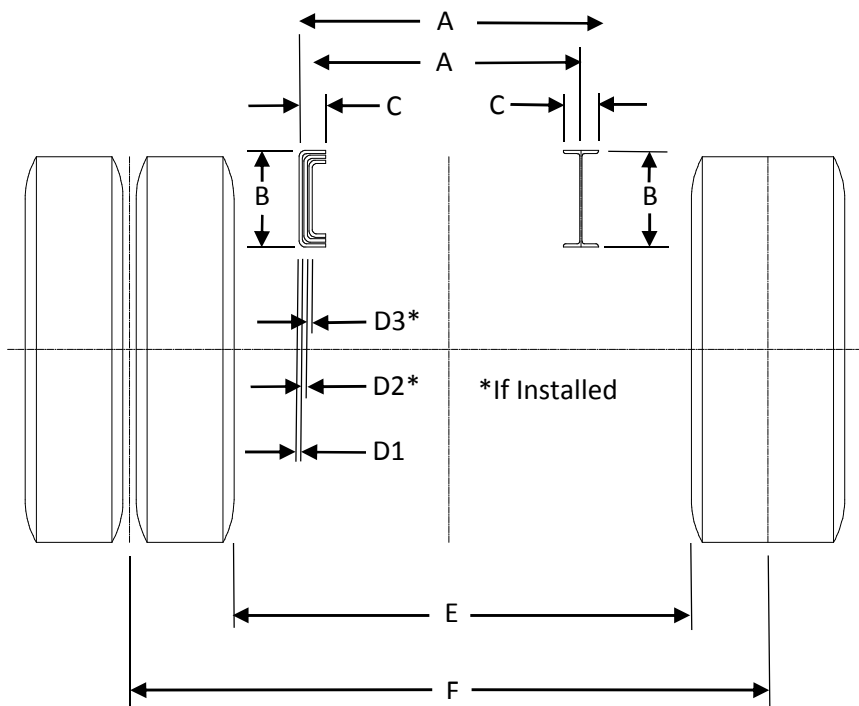
Mounting Height Required: _____
(Centreline of Axle to bottom of Frame Laden)

Shock Absorber Kit Yes No
(40-58K Cap. Only)



TRUCK TANDEM SUSPENSION DATA

FRAME AND TRACK DATA



FRAME Aluminum Steel

A-Width: _____

Frame Rail to Frame Rail

Centreline of Web to Centreline of Web

B- Section: _____

C- Flange: _____

D1- Frame Thickness: _____

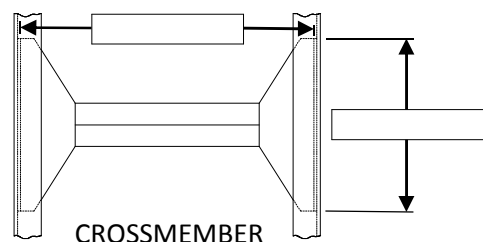
D2- Insert Thickness: _____

D3- Insert Thickness: _____

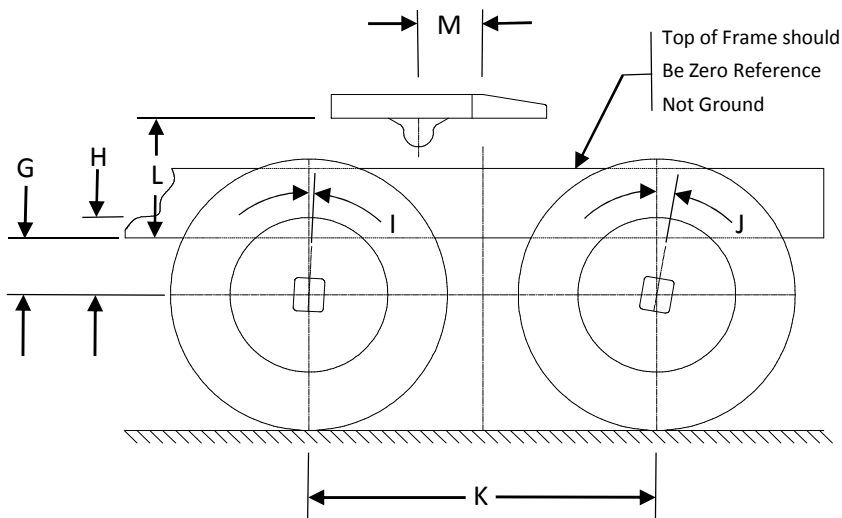
TIRES

E- Inside Spacing: _____

F- Axle Track: _____



PINION ANGLE AND 5TH WHEEL DATA



G-Laden Height: _____

H-Unladen Height: _____

I-Front Pinion Angle: _____

J-Rear Pinion Angle: _____

K-Axle Spread: _____

L-5th wheel Height: _____

If equipped

M-5th Wheel Offset: _____

If equipped

Comments and/or Special Requirements: _____
