

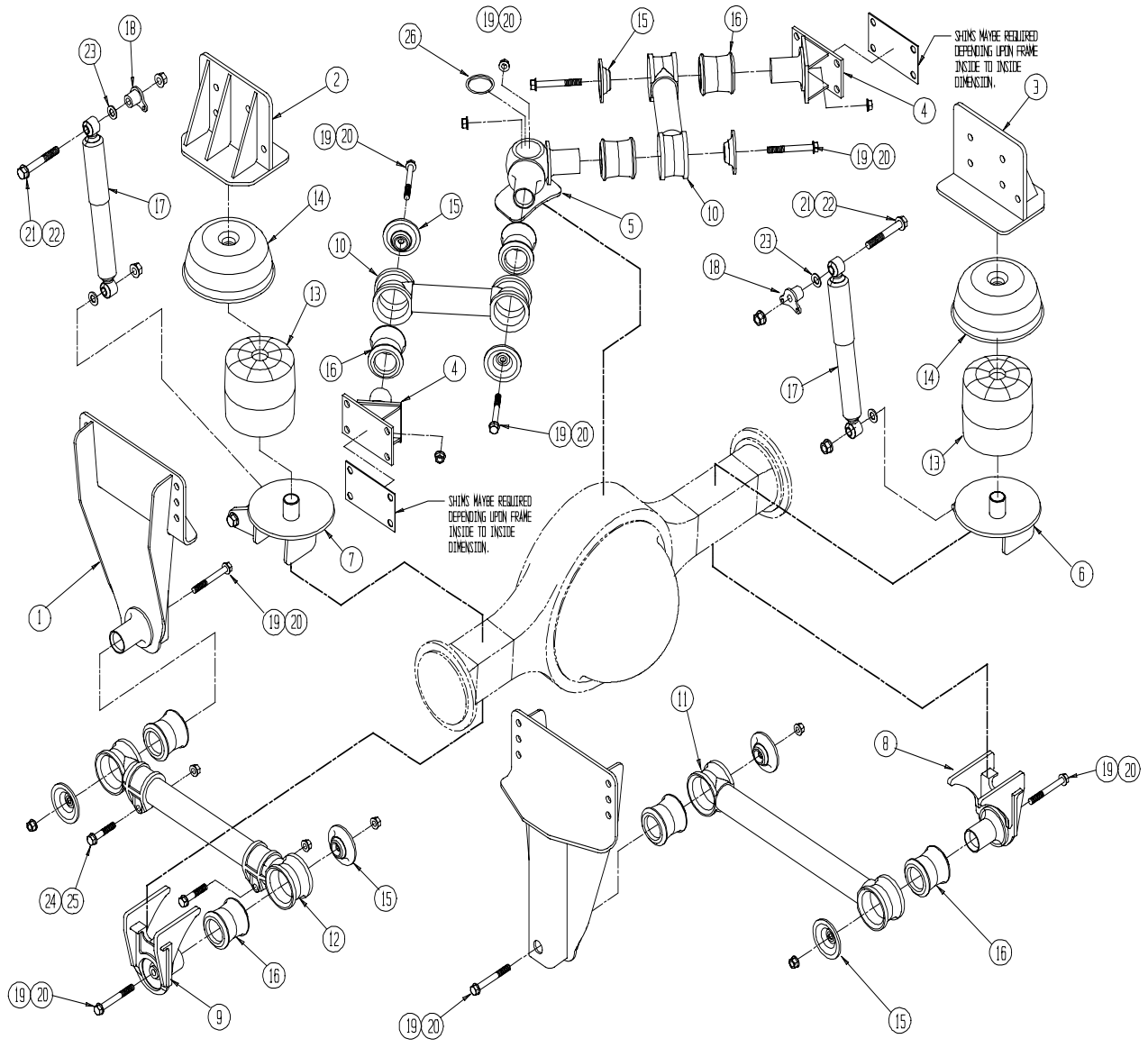


1030 SERIES 30K PARTS MANUAL

CHALMERS SUSPENSIONS INTERNATIONAL INC
6400 NORTHAM DRIVE
MISSISSAUGA, ONTARIO, CANADA
L4V 1J1

(905) 362-6400 PHONE

(905) 362-6401 FAX



Chalmers Suspensions 1030 Series 30,000 lbs. Single Axle Truck Suspension

CHALMERS 1030 SERIES SUSPENSION
30,000 LBS PARTS LISTING

ITEM NO.	PART NO.	DESCRIPTION	QTY	COMMENTS
1	481656	HANGER ASSEMBLY	2	BLANK
2	481704	UPPER SPRING PLATE LH	1	
3	481705	UPPER SPRING PLATE RH	1	
4	800057	UPPER FRAME BRACKET	2	
5	SEE TABLE	TOWER	1	
6	SEE TABLE	CONICAL SPRING PLATE RH	1	
7	SEE TABLE	CONICAL SPRING PLATE LH	1	
8	SEE TABLE	TORQUE ROD AXLE BRKT RH	1	
9	SEE TABLE	TORQUE ROD AXLE BRKT LH	1	
10	805141	UPPER TORQUE ROD	2	14 1/8" LONG
11	805290	LOWER TORQUE ROD	1	29.0" LONG
	805210	LOWER TORQUE ROD (optional)	1	21.0" LONG
12	807290	LOWER TORQUE ROD	1	29.0" LONG, ADJ.
	807210	LOWER TORQUE ROD (optional)	1	21.0" LONG, ADJ.
13	15015	#15 LOADGUARD SPRING	2	
	15017	#15 LOADGUARD SPRING (opt)	2	REDUCED HEIGHT
14	373015	#15 RESTRICTOR CAN	2	
	07S00000	#15 RESTRICTOR CAN 1/2 HT.	2	Use with 15017 Spring
15	800055	SPIGOT CAP #2 JOINT	8	
16	800010	BUSHING #2 JOINT	8	STANDARD
	800009	BUSHING #2 JOINT	8	OVERSIZED/SERVICE
17	665174	SHOCK ABSORBER/STOP	2	
18	800154	UPPER SHOCK BRACKET	2	
19	HDW 382	5/8" NC X 5.5" LG BOLT	8	
20	HDW 379	5/8" NC LOCKNUT	8	
21	HDW 372	3/4" NC X 5.5" LG BOLT	2	
22	HDW 018	3/4" NC LOCKNUT	4	
23	HDW 031	3/4" ID X 1/8" THK WASHER	16	
24	HDW 380	5/8" NC X 3.5" LG BOLT	4	SUPPLIED WITH T/ROD
25	HDW 379	5/8" NC LOCKNUT	4	SUPPLIED WITH T/ROD
26	800230	TOWER PLUG	1	

CHALMERS 1030 SERIES TOWERS 30,000 LBS CAPACITY

TOWER	AXLE MODEL
481244	MERITOR(ROCKWELL); RS 23-180
481282	DANA(EATON); S23-190, S26-190, S30-190 MERITOR(ROCKWELL); RS 26-180, RS 30-180
481356	DANA(EATON); 21060, 23090S, 23105, 23431 MERITOR(ROCKWELL); RS 23-160, RS 23-240, RS 25-160 SPICER; M230T
481681	DANA(EATON); 21060 S/D/A, 23082 MERITOR(ROCKWELL); RS 21-145
481757	DANA(EATON); 23070, 23085, 23105, 26105, 30105P
800077	MERITOR(ROCKWELL); RS 24-160 SPICER: W230S

CHALMERS 1030 SERIES CONICAL SPRING PLATES 30,000 LBS CAPACITY

FORWARD MOUNTED SHOCK ABSORBERS

CONICAL RH	CONICAL LH	AXLE MODEL
03S00000	03S00001	DANA(EATON); 23070, 23085, 23105, 23431, 26105
03S00004	03S00005	DANA(EATON); 21060 S/D/A, 23082, 23090S MERITOR(ROCKWELL); RS 21-145, RS 23-160, RS 23-180 RS 24-160, RS 25-160 SPICER; M230T, W230S
03S00010	03S00011	MERITOR(ROCKWELL); RS 26-180, RS 30-180
03S00004	03S00273	DANA(EATON); 21060

REAR MOUNTED SHOCK ABSORBERS

CONICAL RH	CONICAL LH	AXLE MODEL
03S00006	03S00007	DANA(EATON); 21060 S/D/A, 23082 MERITOR(ROCKWELL); RS 21-145, RS 23-160, RS 23-180 RS 24-160, RS 25-160 SPICER; M230T, W230S
03S00015	03S00016	MERITOR(ROCKWELL); RS 26-180, RS 30-180
03S00096	03S00097	DANA(EATON); 23070, 23085, 23105, 23431, 26105

CHALMERS 1030 SERIES CONICAL SPRING PLATES
30,000 LBS CAPACITY

FORWARD MOUNTED SHOCK ABSORBERS, X-LOW MOUNT

CONICAL RH	CONICAL LH	AXLE MODEL
03S00130	03S00131	MERITOR(ROCKWELL); RS26-180, RS 30-180
03S00229	03S00230	DANA(EATON); 21060 S/D/A MERITOR(ROCKWELL); RS 24-160
03S00229	03S00297	MERITOR(ROCKWELL); RS 23-160, RS 23-240
03S00229	03S00533	MERITOR(ROCKWELL); RS 23-180
03S00229	03S00614	DANA(EATON); S23-190, S26-190
03S00609	03S00610	DANA(EATON); 26105, 30105P
03S00616	03S00617	DANA(EATON); S30-190

REAR MOUNTED SHOCK ABSORBERS, X-LOW MOUNT

CONICAL RH	CONICAL LH	AXLE MODEL
03S00064	03S00065	MERITOR(ROCKWELL); RS 26-180, RS 30-180
03S00098	03S00099	DANA(EATON); 21060 S/D/A MERITOR(ROCKWELL); RS 21-145
03S00098	03S00183	MERITOR(ROCKWELL); RS 23-160, RS 23-240
03S00098	03S00503	MERITOR(ROCKWELL); RS 23-180
03S00098	03S00668	DANA(EATON); S23-190
03S00110	03S00111	DANA(EATON); 23085
03S00110	03S00546	DANA(EATON); 26105

CHALMERS 1030 SERIES TORQUE ROD AXLE BRACKETS
30,000 LBS CAPACITY

BRACKET RH	BRACKET LH	AXLE MODEL
481577	481577	SPICER; W230S
481578	481578	DANA(EATON); 21060 S/D/A
481583	481582	DANA(EATON); 21060 MERITOR(ROCKWELL); RS 23-180, R170
800534	800533	MERITOR(ROCKWELL); RS 26-180, RS 30-180
800537	481577	MERITOR(ROCKWELL); RS 23-160, RS 23-240
800537	481690	SPICER; M230T
800537	800537	MERITOR(ROCKWELL); RS 24-160
800537	800540	DANA(EATON); 23082
800537	800774	DANA(EATON); 23090S MERITOR(ROCKWELL); RS 21-145
800537	03S00604	DANA(EATON); S23-190, S26-190
800539	481576	DANA(EATON); 23070, 23085, 23105, 23431, 26105
800539	03S00620	DANA(EATON); 30105P
800793	800794	DANA(EATON); S30-190