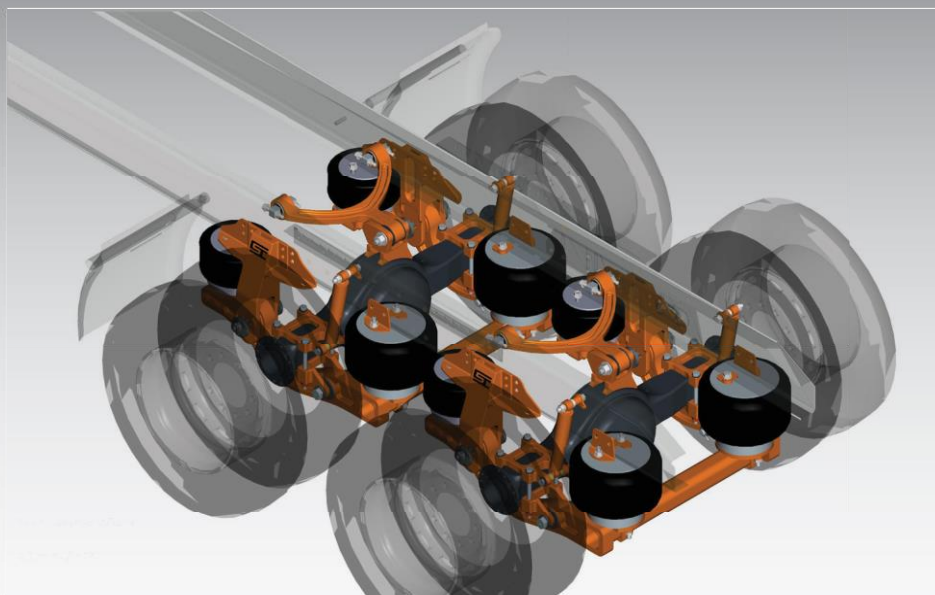




# CHALMERS 1600 SERIES VOCATIONAL TRUCK AIR SUSPENSION



## BUILDING ON 45 YEARS OF PROVEN SUCCESS

A Vocational Truck Air Suspension worthy of the name **Chalmers**.

- Independent stiffness and ride height tuning
- Superior ride handling and comfort
- Stiffness tuning to meet off-road and on-road driving conditions
- Improved roll stiffness
- Superior load distribution capabilities
- Integral axle lift capability

### VOCATIONAL USES



CONCRETE MIXER



CONSTRUCTION



OIL FIELD



CRANE



LOGGING



FIRE APPARATUS



REFUSE



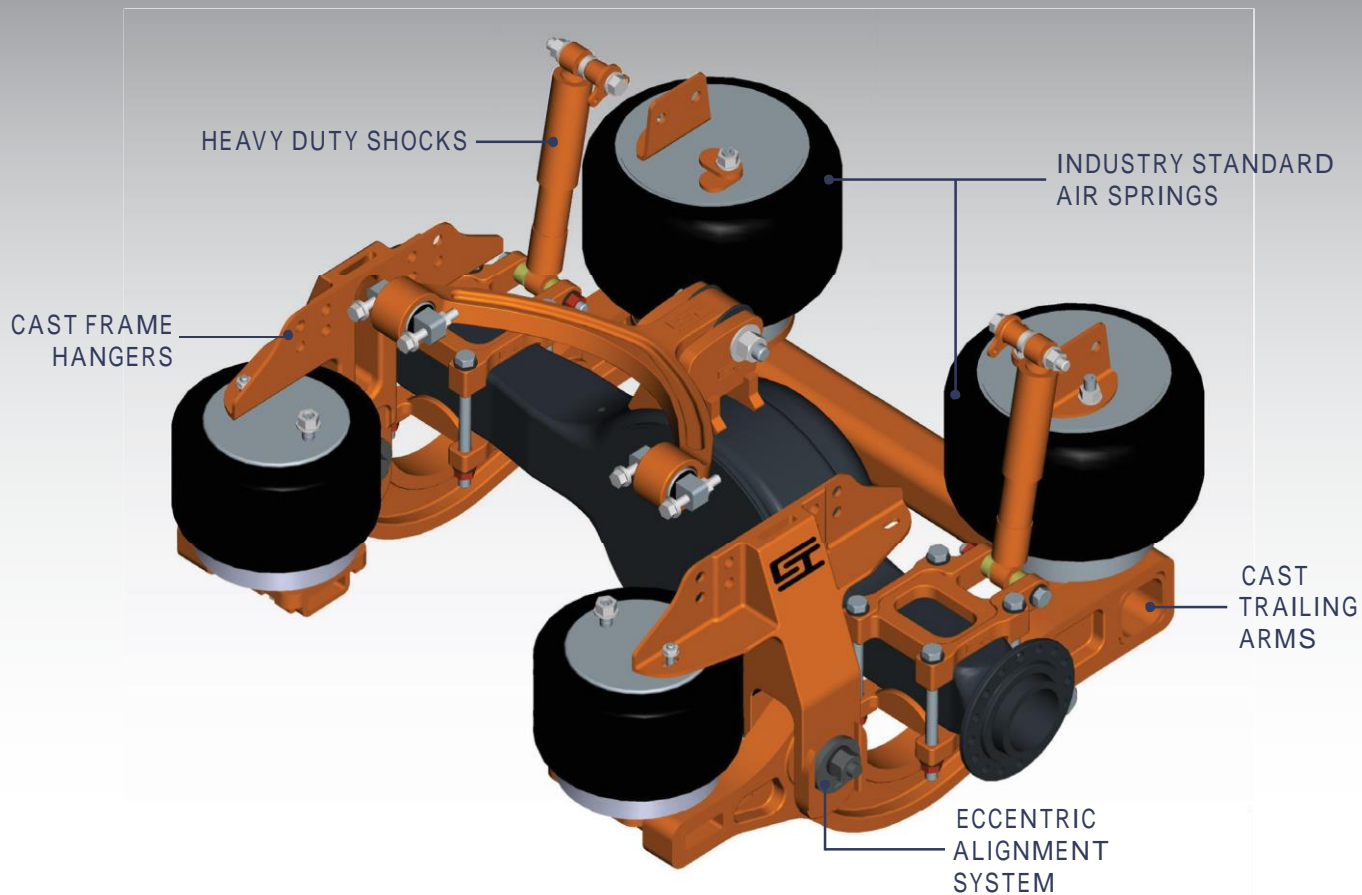
ROLL-OFF

CHALMERS SUSPENSIONS INTERNATIONAL INC.

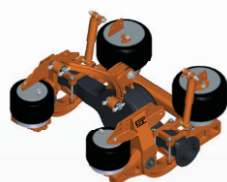
6400 Northam Drive, Mississauga, Ontario, Canada, L4V 1J1 905.362.6400  
[www.chalmerssuspensions.com](http://www.chalmerssuspensions.com)



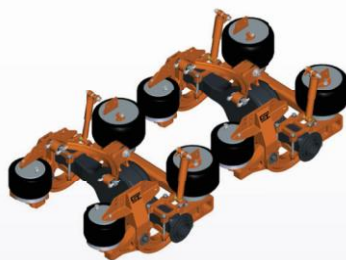
# CHALMERS 1600 SERIES VOCATIONAL TRUCK AIR SUSPENSION



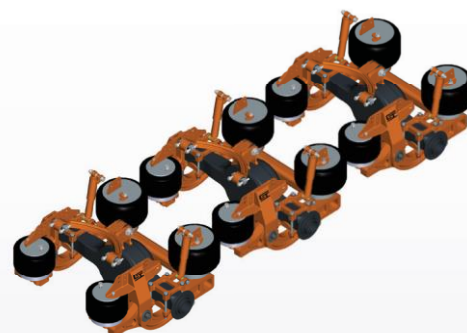
US PATENT APPLICATION (GRANTED) NO.: 13/097,874



SINGLE AXLE



TANDEM AXLE



TRIDEM AXLE

## SPECIFICATIONS

**CAPACITY:** 23,000 LBS.– 69,000 LBS.

**ROLL STIFFNESS:** 16,000 LB.FT/DEG – 20,000 LB.FT/DEG

**MOUNTING HEIGHT:** 10”–14”

**VERTICAL ARTICULATION:** +/- 4.00”

**CREEP RATING:** +25%

**MINIMUM AXLE SPACING:** 54”

**PLANING ANGLES:** 0–14°

**GROUND CLEARANCE:** 10.5”

CHALMERS SUSPENSIONS INTERNATIONAL INC.

6400 Northam Drive, Mississauga, Ontario, Canada, L4V 1J1 905.362.6400  
www.chalmerssuspensions.com